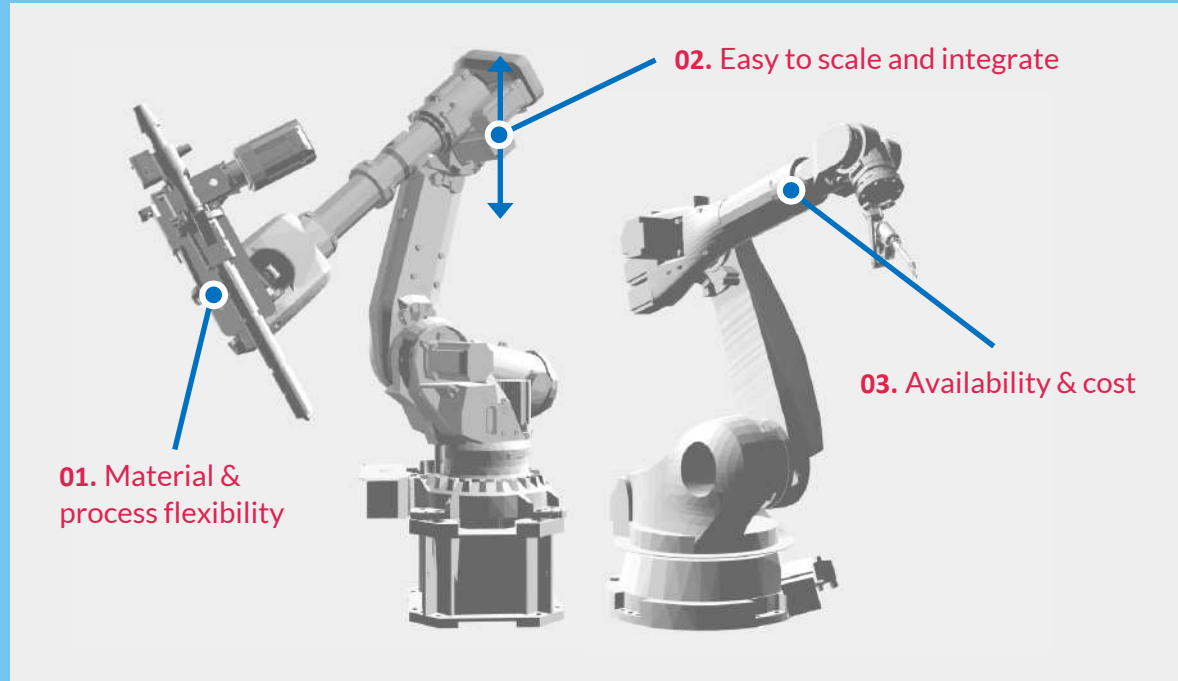


# Using AI to Enable the Next Manufacturing Revolution: **the 3D Printing Robot**





# A tool for industrial resilience and innovation



RI  
SE

ESTIA  
INSTITUTE OF TECHNOLOGY



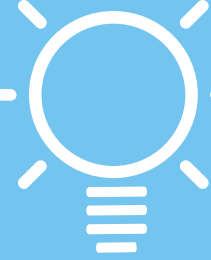
VOLKSWAGEN  
AKTIENGESELLSCHAFT



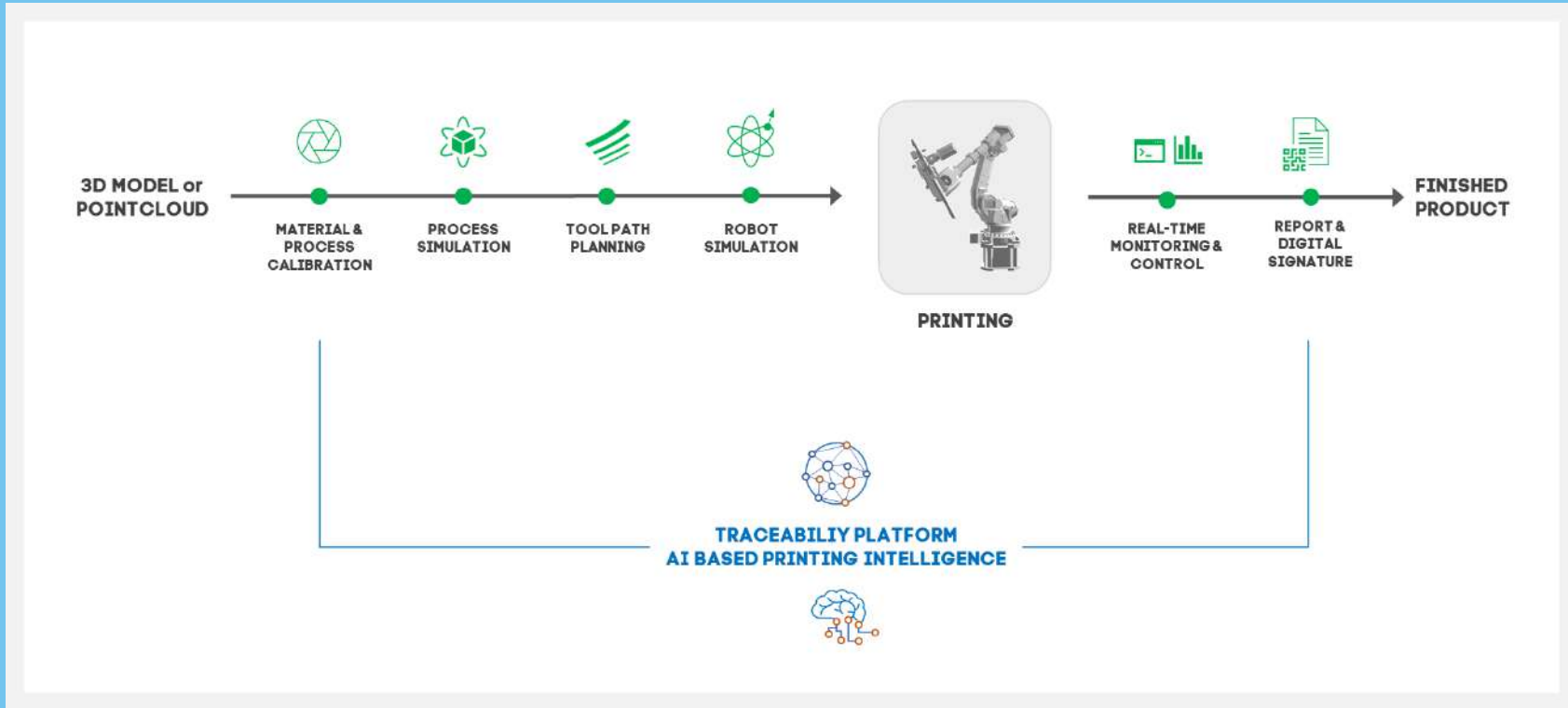
SPECTRUM

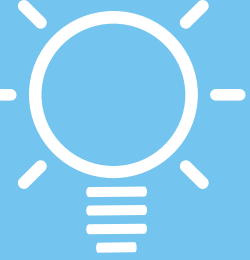


EIT Manufacturing is supported by the EIT,  
a body of the European Union



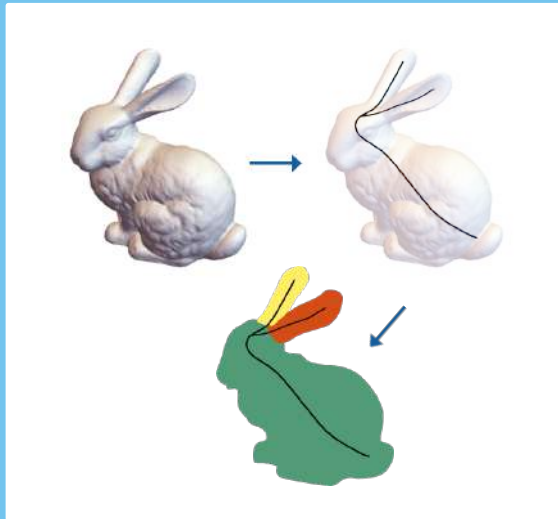
# Artificial intelligence is key for a fast and robust value chain





## Two practical applications for robotic AM

Feature extraction for adaptive 3D printing



Real-time monitoring and process feedback

